

* TYPE 1
 * TYPE 2
 * TYPE 3
 All OTHERS — 300x150 WITH 4/11.2 R10 STRAIGHTS @ 100 c/c

BOOK UNITS

600x150 WITH 4/11.6 R10 STRAIGHTS @ 200 c/c

300x150 WITH 4/11.2 R10 STRAIGHTS @ 100 c/c

BEAM 1
370x440

BEAM 2
250x831

BEAM 3
600x150 CONC. LINTEL TYPE 1

BEAM 4
200x430

BEAMS

FS

E

H

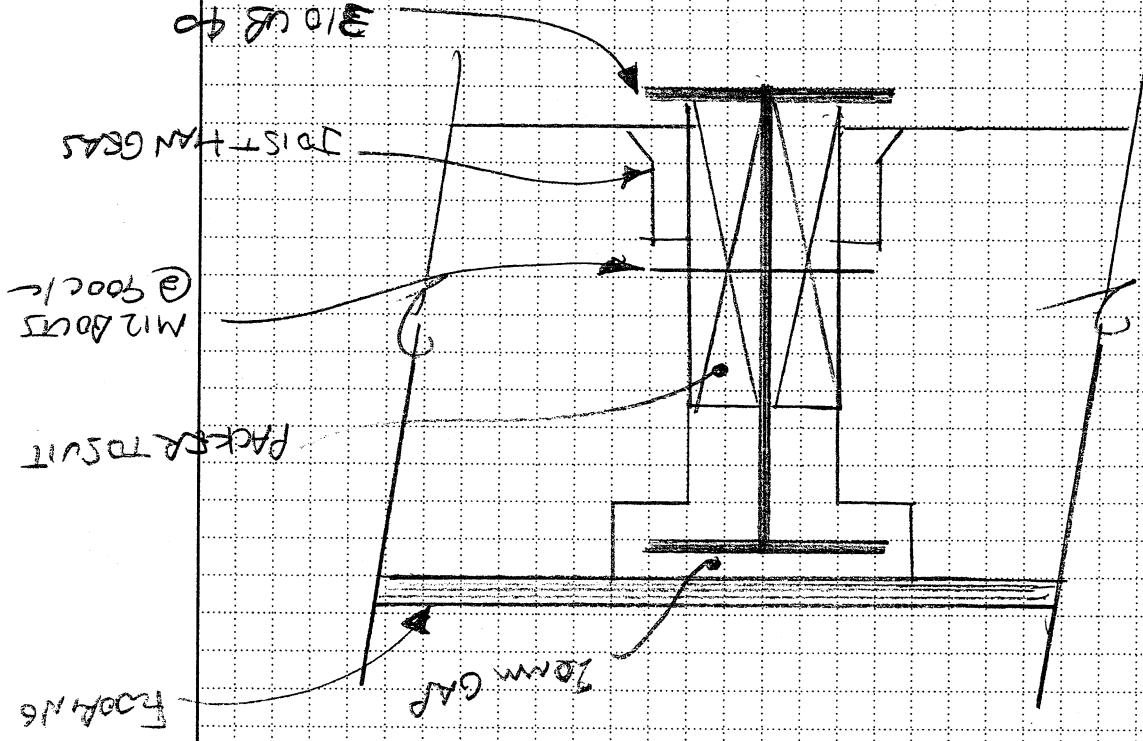
N

- 25

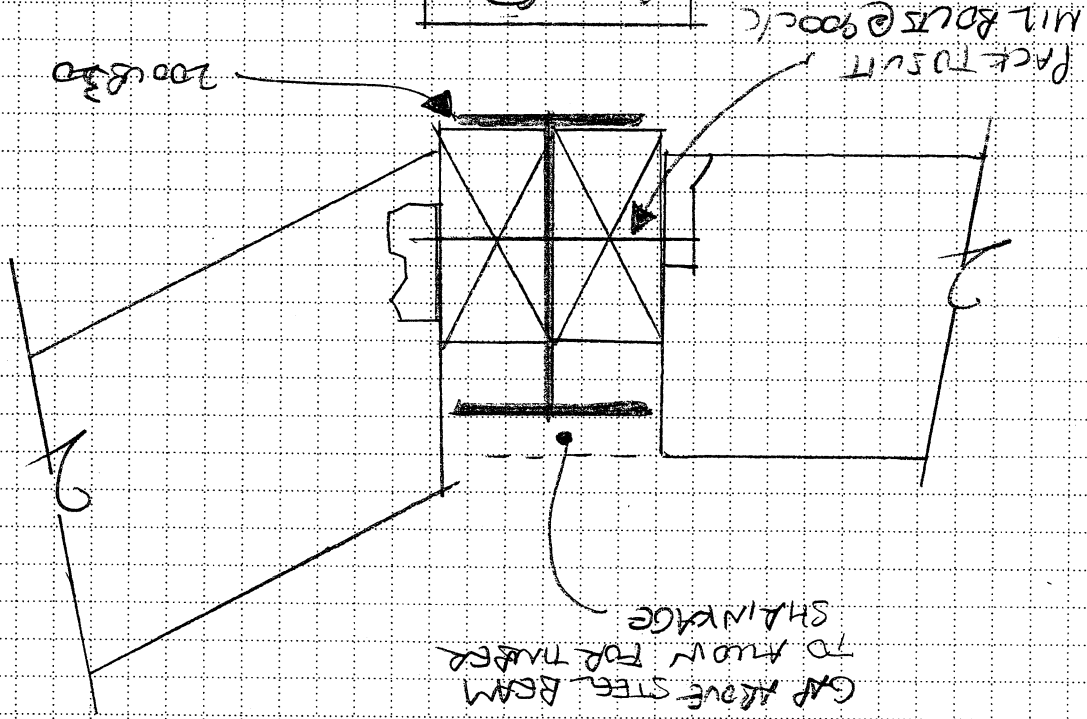
WIND

(15)

BEAM 2



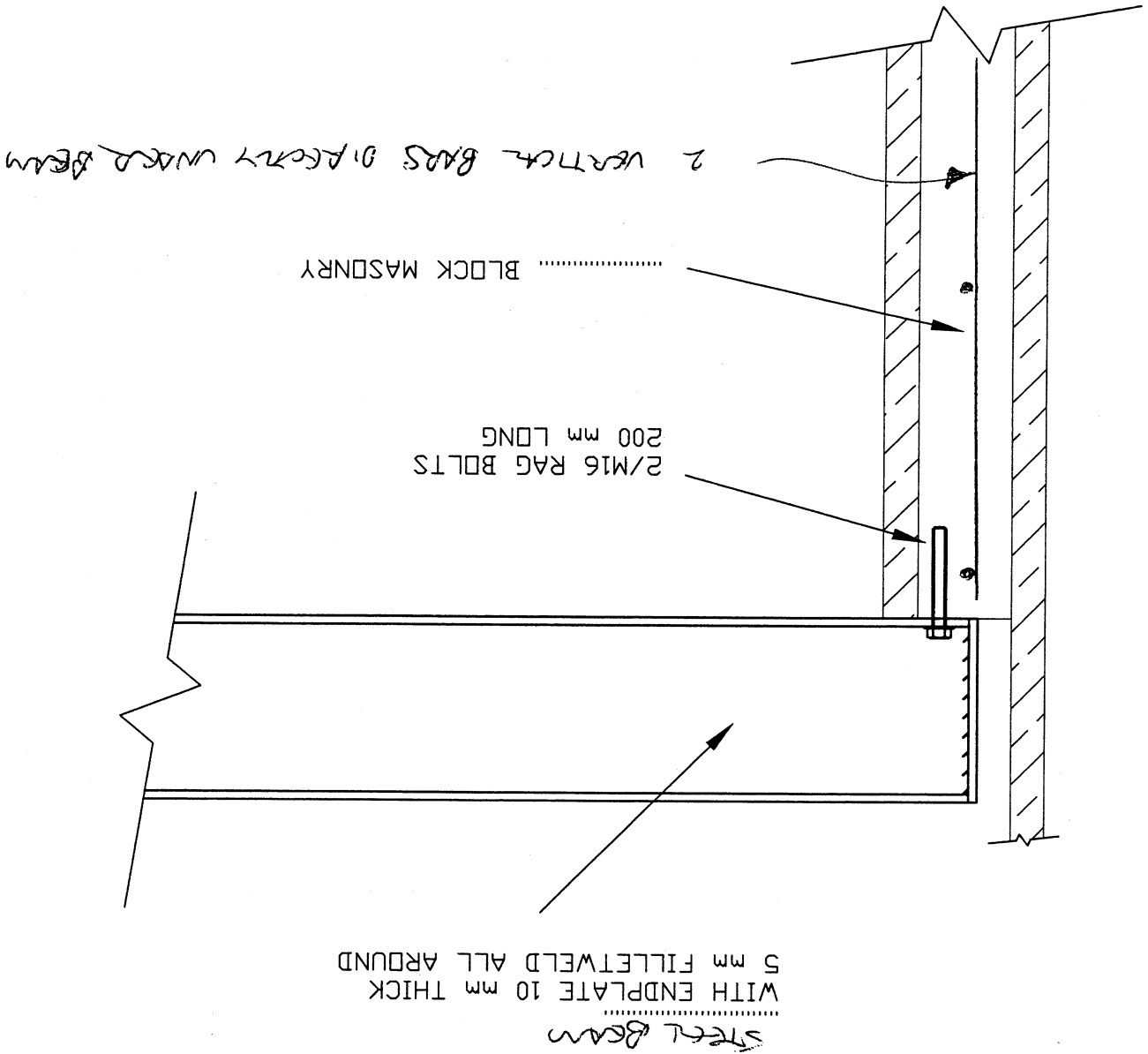
BEAM 3




JOB TITLE: <i>Draw</i>		DATE: <i>6/3/08</i>		JOB NO. <i>112844</i>		BY: <i>S.H</i>	
ADDRESS:		ROTORUA TE PUKE OPOTIKI		TAURANGA WHAKATANE		CONSULTANTS	
PAGE: <i>46</i>		SURVEYORS		ENGINEERS		PLANNERS	
		M		TEC			

STEEL BEAM TO BLOCK MASONRY (STR49)

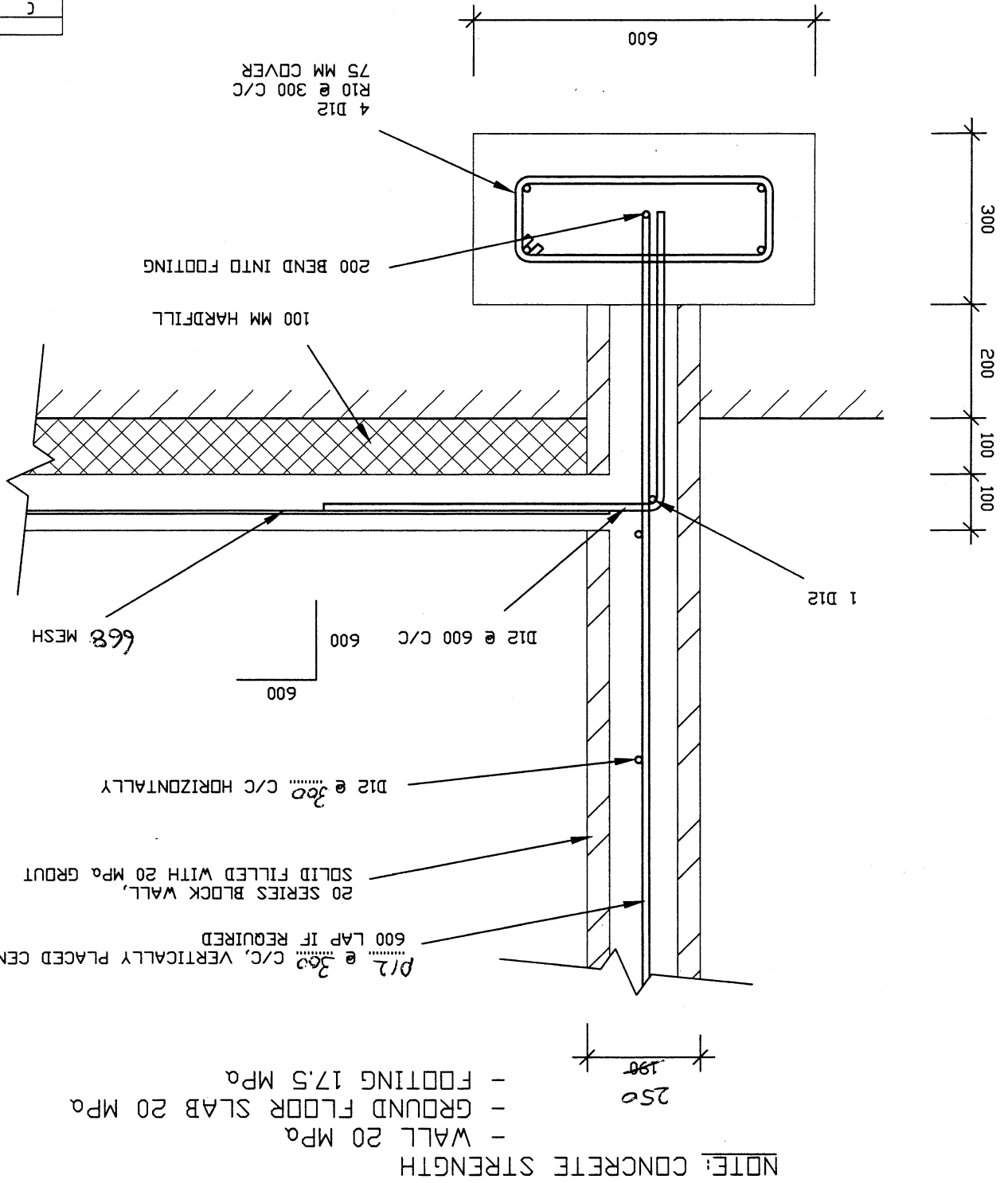
revision	date
A	28.03.06
B	-
C	-



		SURVEYORS ENGINEERS PLANNERS		ROTORUA TE PUKE OPOTIKI TAURANGA WHAKATANE	
JOB TITLE:	SAW	JOB No:	112844	DATE:	6/3/08
ADDRESS:		BY:	OMP		
PAGE:	47				

BLOCKWALL FOOTING (STR46)

revision	date
A	22.12.05
B	-
C	-



JOB TITLE:	ROOM
ADDRESS:	
JOB No:	112844
DATE:	6/3/08
BY:	JMF
PAGE:	43

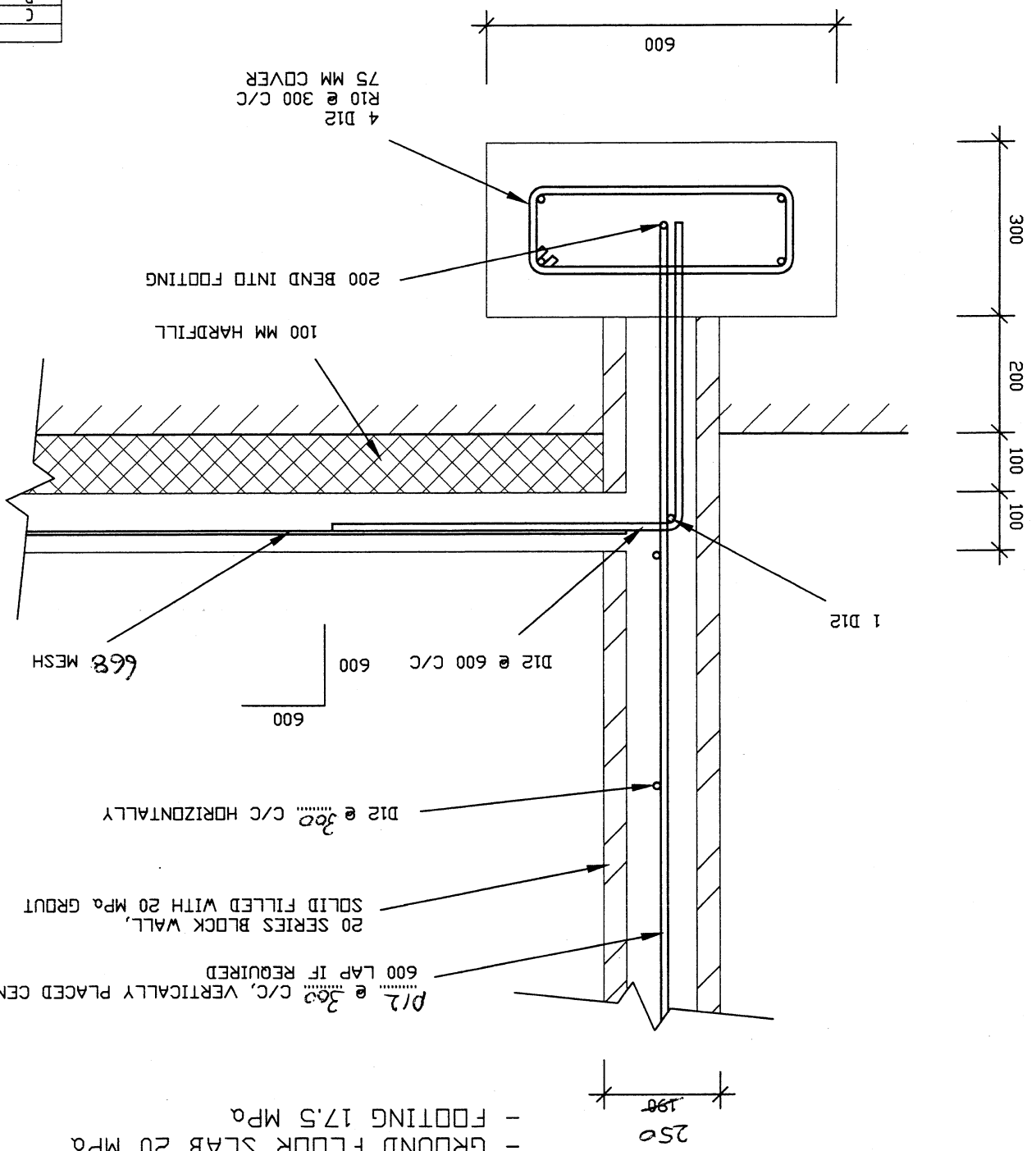
SURVEYORS
ENGINEERS
PLANNERS

ROTORUA TE PUKE OPOTIKI
TAURANGA WHAKATANE



BLOCKWALL FOOTING (STR46)

revision	date
A	22.12.05
B	-
C	-



NOTE: CONCRETE STRENGTH

- WALL 20 MPa
- GROUND FLOOR SLAB 20 MPa
- FOOTING 17.5 MPa

JOB TITLE:	ROOM
ADDRESS:	
JOB No:	112844
DATE:	6/3/08
BY:	JNF
PAGE:	43

SURVEYORS
ENGINEERS
PLANNERS

ROTORUA TE PUKE OPOTIKI
TAURANGA
WHAKATANE

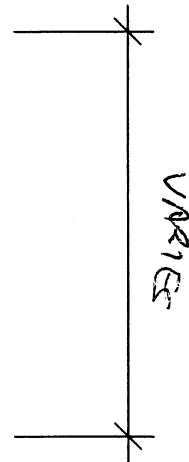
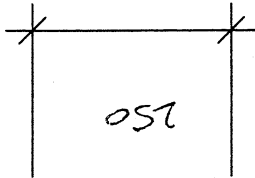


CONCRETE BLOCK LINTEL (STR47)

revision	date
A	31.01.06
B	-
C	-

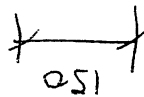
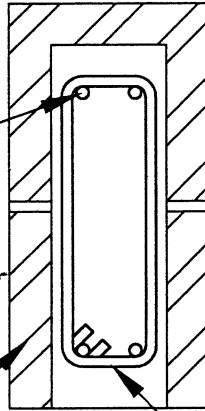
CONCRETE STRENGTH 20 MPa

- TYPE ① - 600 - 4/016 @ R10 STIRRUPS @ 200c/c
- TYPE ② - 300 - 4/012 @ R10 STIRRUPS @ 100c/c
- EXTEND REINFORCING 600mm PAST OPENING



40 mm COVER
2 / TOP AND BOTTOM

ARMATURE



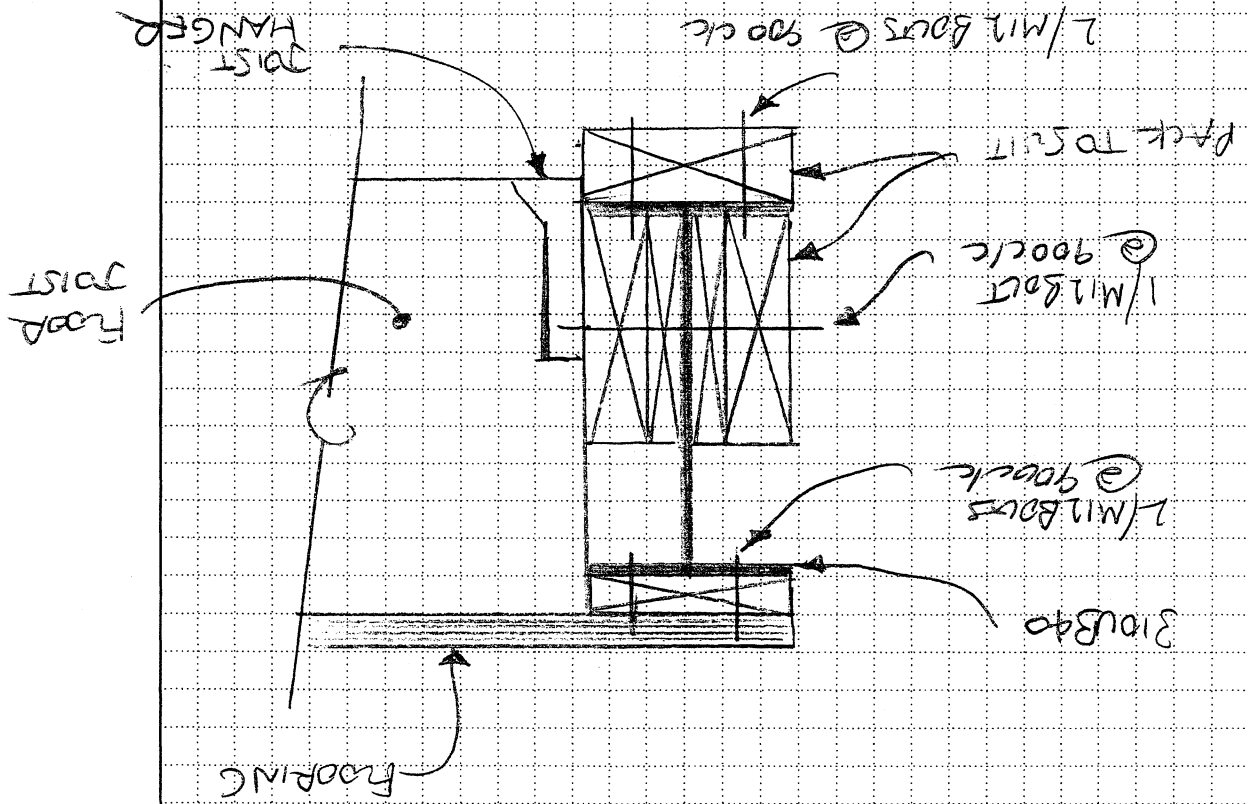
20 mm COVER / STIRRUPS @ mm C/C
CONCRETE LINTEL

DATE: 6/3/08	BY: SMW
JOB No: 112844	
JOB TITLE: New	ADDRESS:
PAGE: 49	

SURVEYORS
ENGINEERS
PLANNERS
ROTORUA TE PUKE OPOTIKI
TAURANGA
WHAKATANE



BEAM ①



CONSULTANTS

TEC

M

ROTORUA TE PUKE OPOTIKI
TAURANGA WHAKATANE

**SURVEYORS
ENGINEERS
PLANNERS**

JOB NO. 112844

DATE: 6/3/08

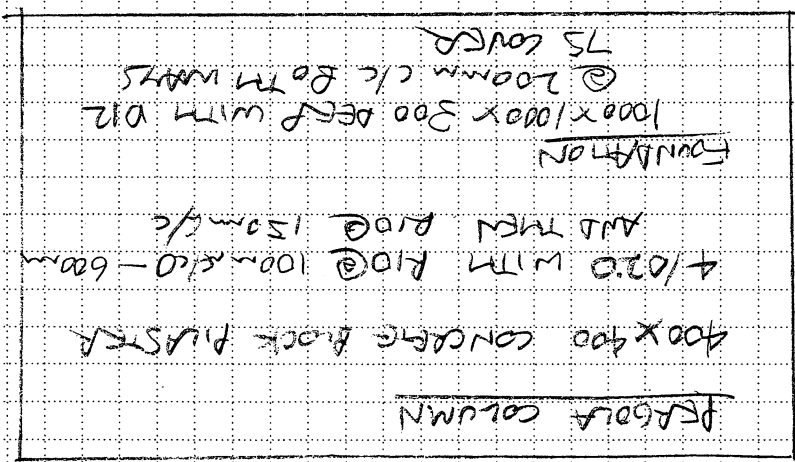
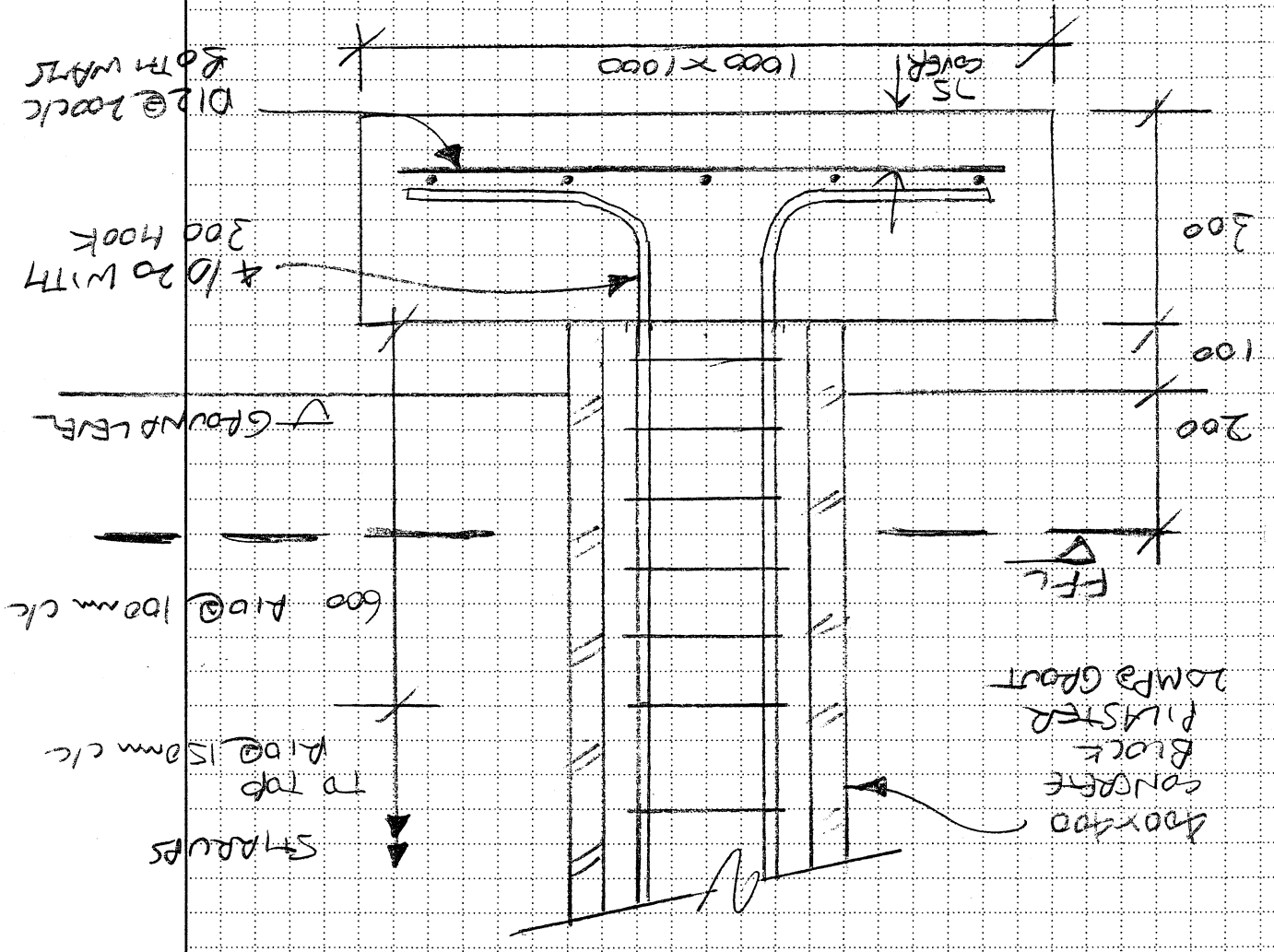
BY: Suf

ADDRESS:

JOB TITLE: Fow

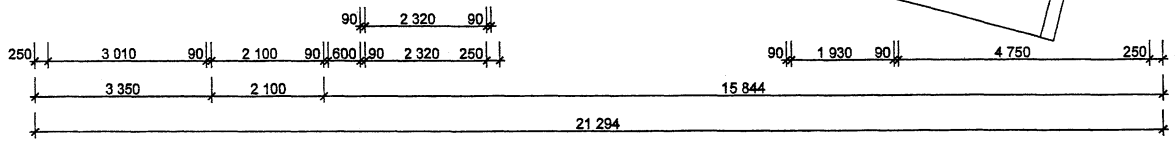
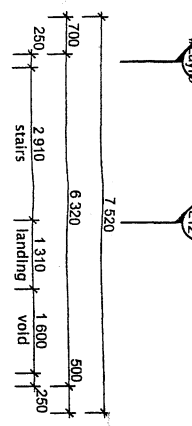
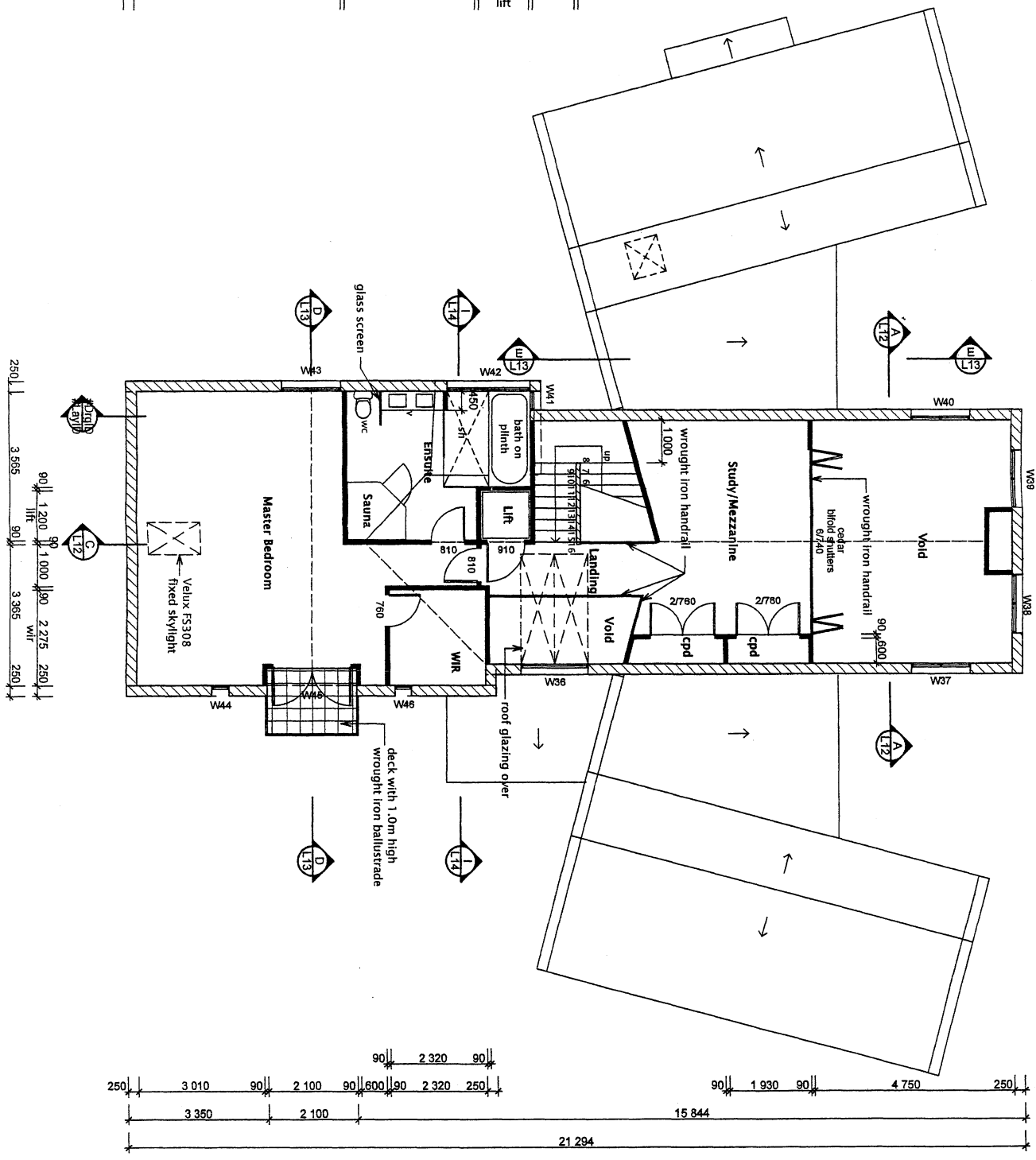
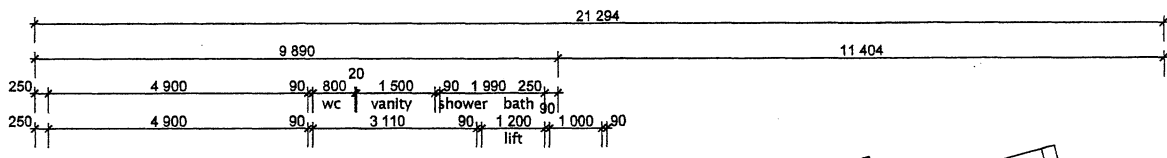
PAGE: 50

FERROUS COLUMN



SUMMARY

<p>JOB NO. 112844</p>		<p>DATE: 6/3/08</p>		<p>BY: [Signature]</p>	
<p>JOB TITLE: Rkon</p>		<p>ADDRESS:</p>		<p>ROTORUA TE PUKE OPOTIKI TAURANGA WHAKATANE</p>	
<p>PAGE: 51</p>		<p>CONSTRUCTORS</p>		<p>TEC M</p>	
<p>SURVEYORS</p>		<p>ENGINEERS</p>		<p>PLANNERS</p>	



53

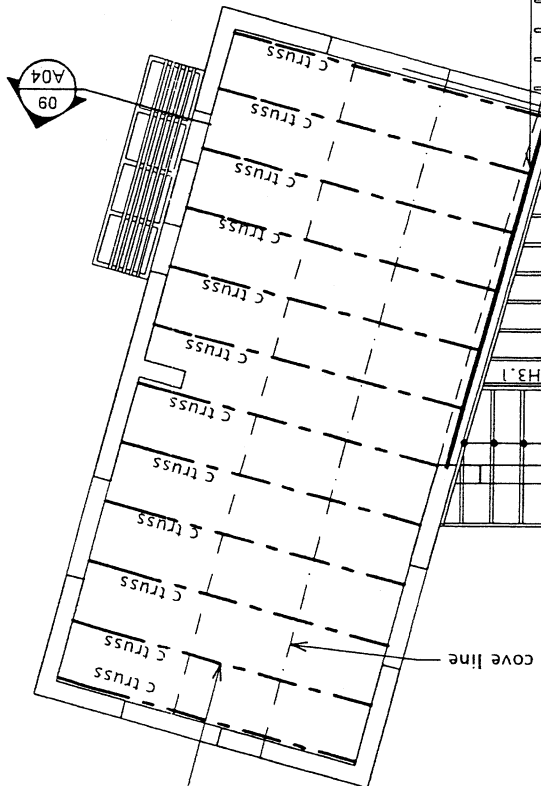
FRAMING NOTES: All fixings Type C: 4.7kN (to NZS3604
 Truss & Rafter: 0.4kN fixing (1/100x3.75 nail). Refer
 Tile Battens: 0.4kN fixing (1/100x3.75 nail). Refer

FLOOR FRAMING NOTES:

4. Hyne Ibuilt Structural Floor System. Layout shown omitted for clarity) and is subject to amendment
5. Install strictly in accordance with Hyne Ibuilt Structural installation guide and details, complete with all no fixings etc.
6. Read in conjunction with MTEC Consultants drawing D001

S4

coved trusses by mitek @ 900cfs



A04 09

Beam 3: 200UB30. note 6
 ex300x100 H3.2 b.s. pergola beam

A04 16

140x45 MSG8 H3.1 rafters @ 400cfs max

2/EB 300x45 timber joists

290x90 MSG8 H3.1 laminated timber bearer to curve

ex300x50 H3.2 b.s. pergola rafters @ 600cfs

RFR RA PG 55

140x45 MSG8 H3.2 cantilevered deck joists @ 400cfs
 max. refer detail 17 & 18, sht A04
 ex300x75 H3.2 b.s. stringer refer detail 24, sht A05

ex300x75 H3.2 b.s. stringer

ex300x50 H3.2 b.s. pergola rafters @ 600cfs

ex300x100 H3.2 b.s. pergola beam

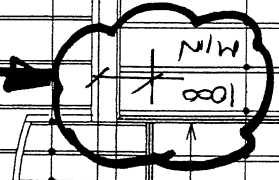
A01 28

150x45 HYPAN H3.1
 rafters @ 400cfs max

Beam 1: 250UB31. note 6

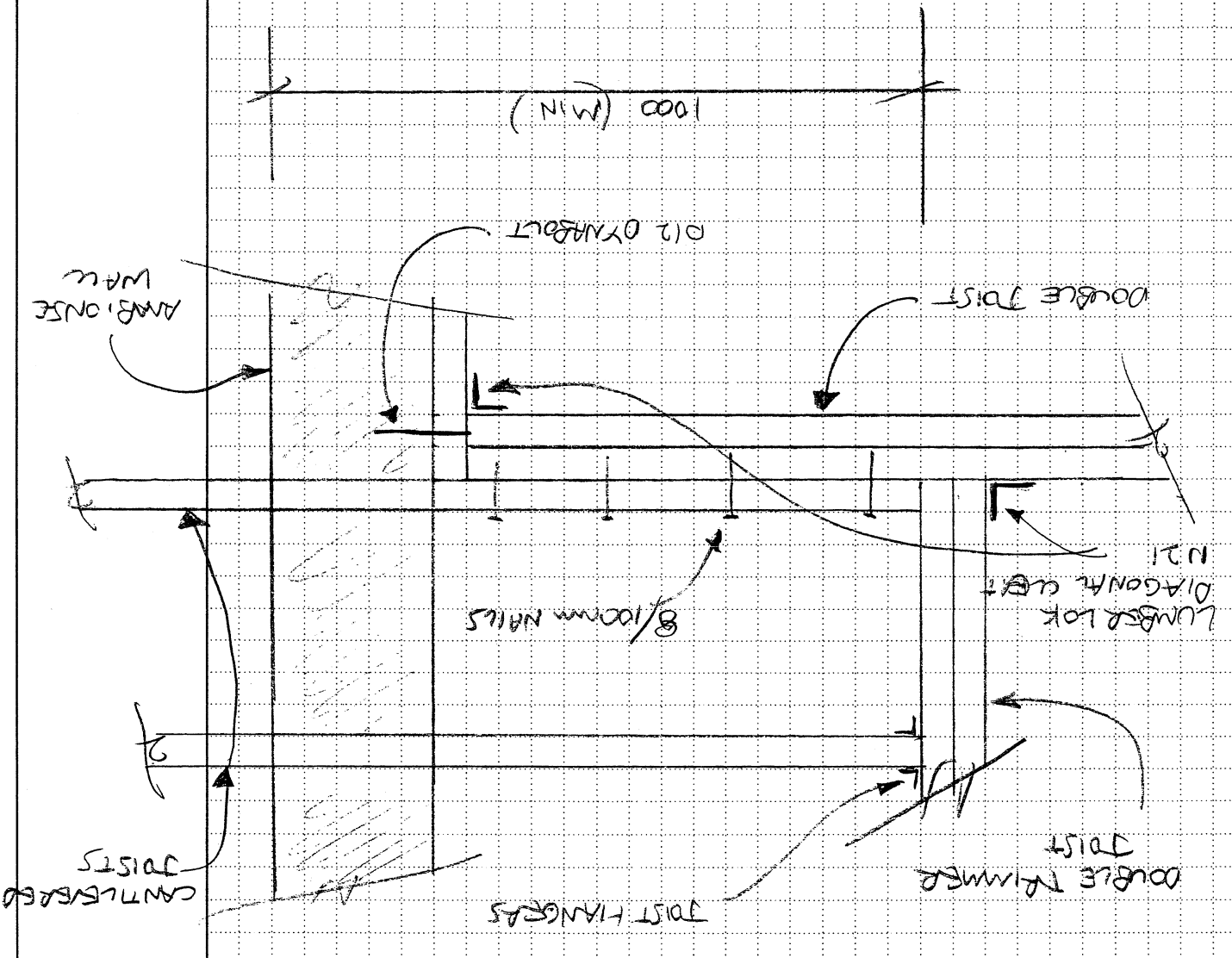
Ambionse wall as intel over
 note 6

lift void



A05 18 300x70 floor joists @ 600cfs max

CONNECTION DETAIL - CANTILEVERED DECK
OFF MASTER BEDROOM



JOB TITLE: Flow	PAGE: 55
ADDRESS: OLIVE GROVE	MARTIN BROUGH
JOB NO. 112844	DATE: 16/1/09
BY: JMF	

**SURVEYORS
ENGINEERS
PLANNERS**

ROTORUA TE PUKE OPOTIKI
TAURANGA WHAKATANE

